

For reference only. See data sheet for the detailed specifications.

Technical Specification



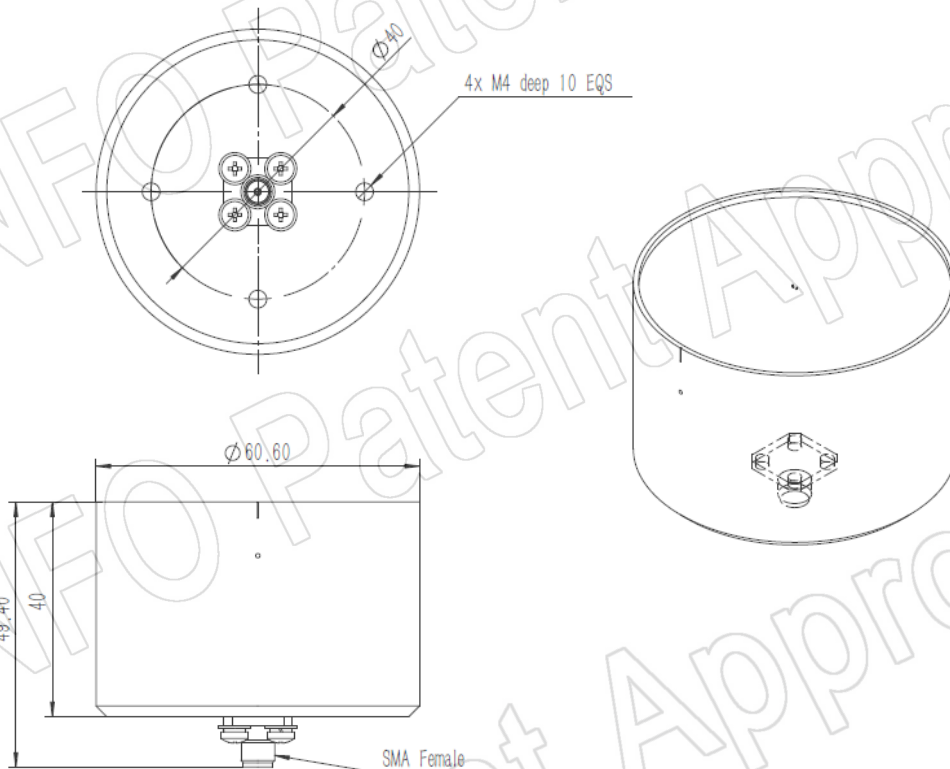
Frequency Range(GHz)	2.0 – 8.0
Gain(dBic)	- 8.0 – 6.0
	0 Typ.
Polarization	RHCP or LHCP
Axial Ratio(dB)	2.0 Typ.
	4.0 Max.
3dB Beamwidth(deg)	E Plane: 90 - 65
	H Plane: 90 - 65
VSWR	2.0:1 Typ.
	3.0:1 Max.
Connector	SMA-Female
Material	Al
Size(mm)	60.6 x 60.6 x 49.4
Net Weight(Kg)	0.15 Around

PATENT ID (China)

ZL201921373071.0, ZL201630458503.3

Outline Drawing (Size: mm)

SMA-Female Output (P/N: LX-2080_RHCP or LX-2080_LHCP)



AINFO Inc.

Page 1 of 7

China(Beijing):
China(Chengdu):
USA :

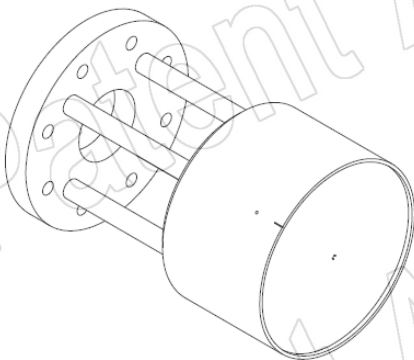
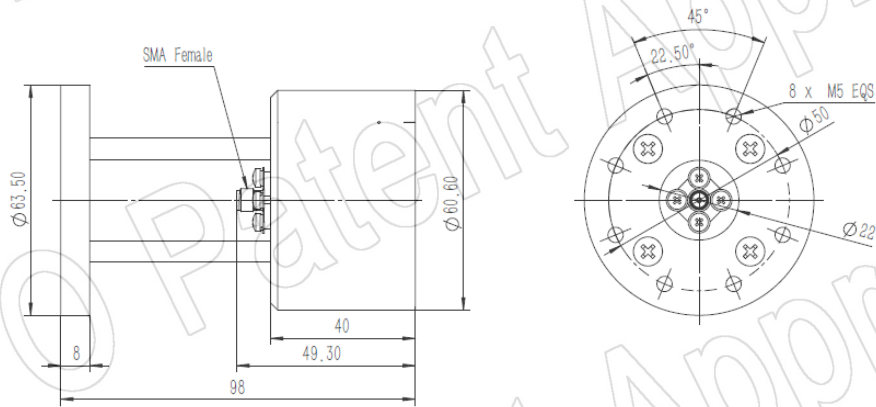
Tel: (+86)10-6266-7326,
Tel: (+86) 28-8519-2786,
Tel: (+1)949-639-9688,

(+86) 10-6266-7327
(+86) 28-8519-3044
(+1) 949-639-9608

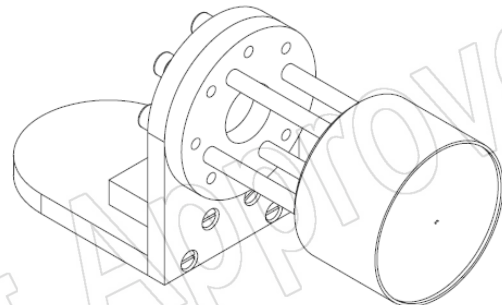
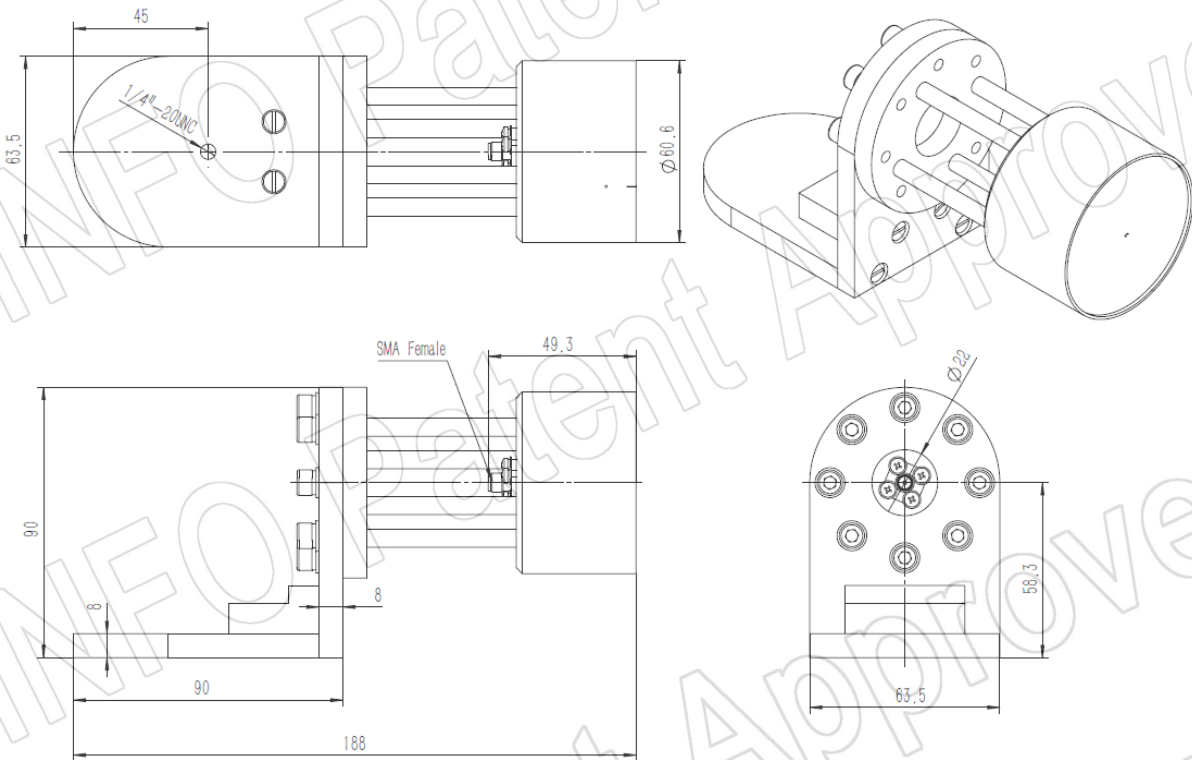
Fax: (+86) 10-6266-7379
Fax: (+86) 28-8519-3068
Fax: (+1) 949-639-9670

Website: www.ainfoinc.com
Email: sales@ainfoinc.com

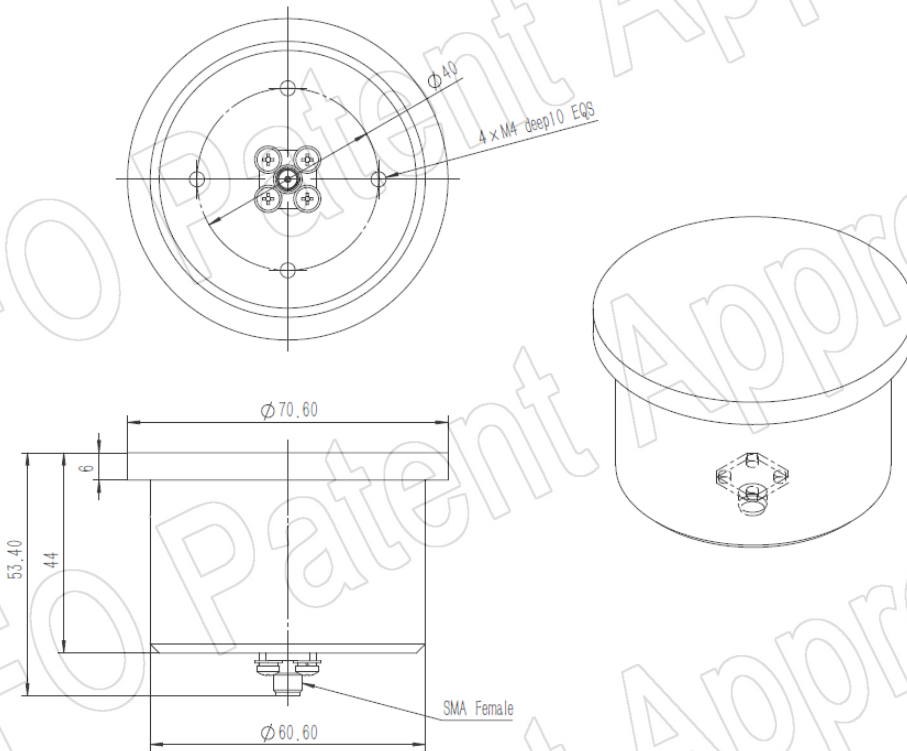
SMA-Female Output with Round Mounting Bracket (Option, P/N: LX-20180-MB)



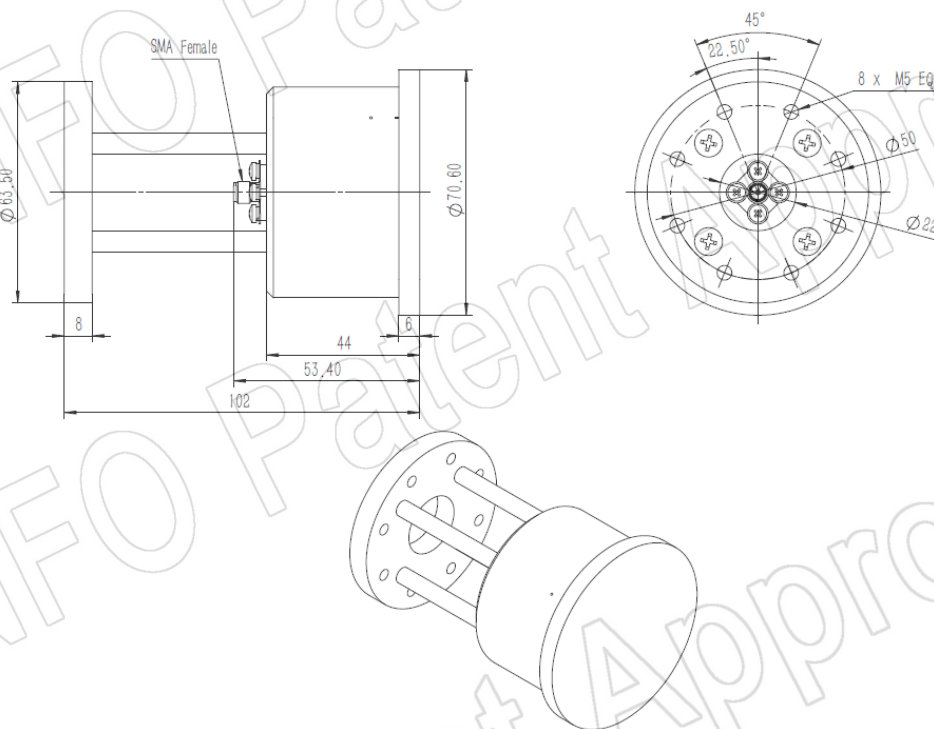
SMA-Female Output with L Type Mounting Bracket (Option, P/N: LX-20180-MBL)



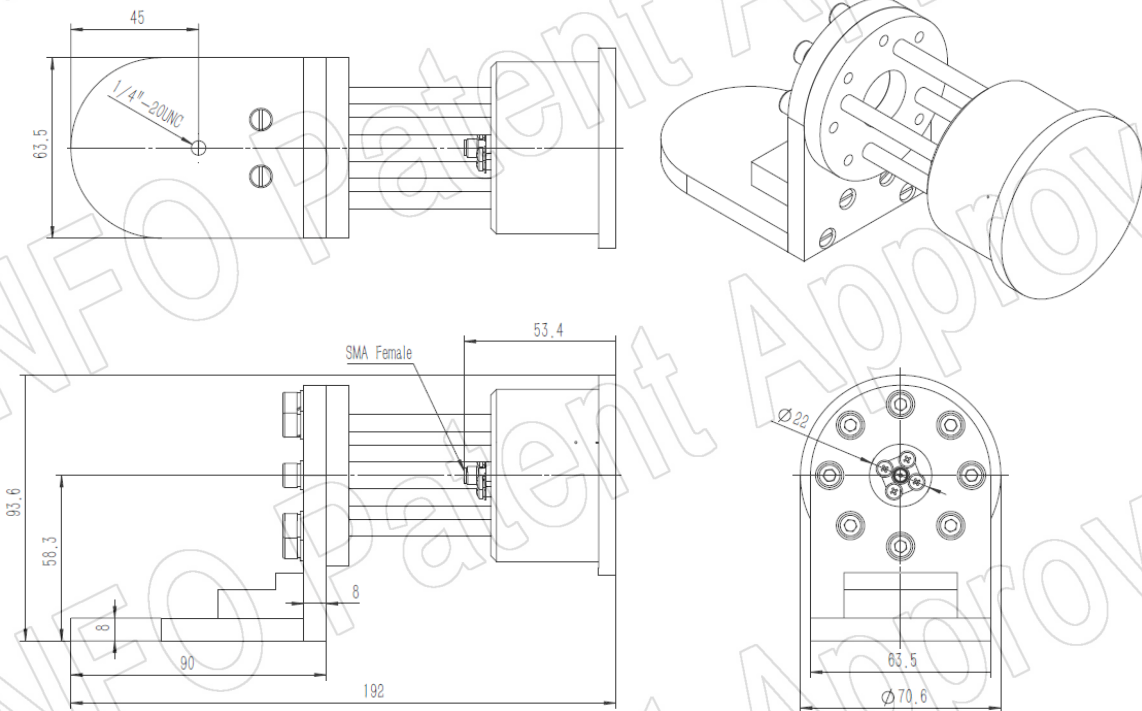
SMA-Female Output with Radome (Option, P/N: LX-2080_RHCPSP0 or LX-2080_LHCPSP0, Outdoor Application)



SMA-Female Output with Round Mounting Bracket & Radome (Option, P/N: LX-20180-MB & LX-2080_RHCPSP0 or LX-2080_LHCPSP0, Outdoor Application)

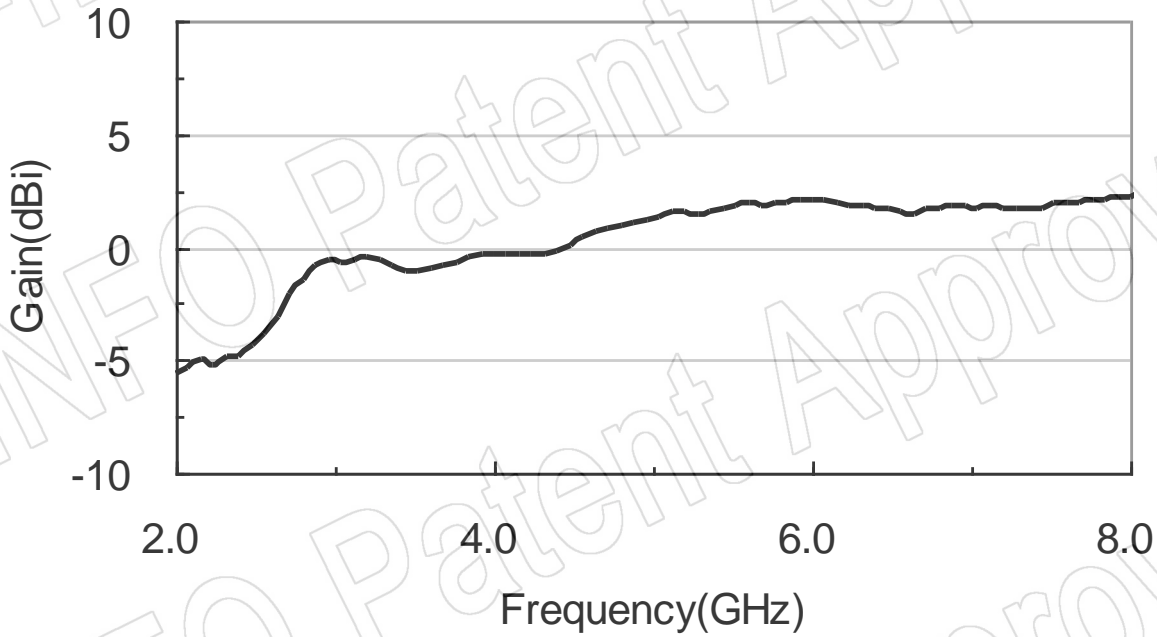


SMA-Female Output with L Type Mounting Bracket & Radome (Option, P/N: LX-20180-MBL & LX-2080_RHCPSPPO or LX-2080_LHCPSPPO, Outdoor Application)

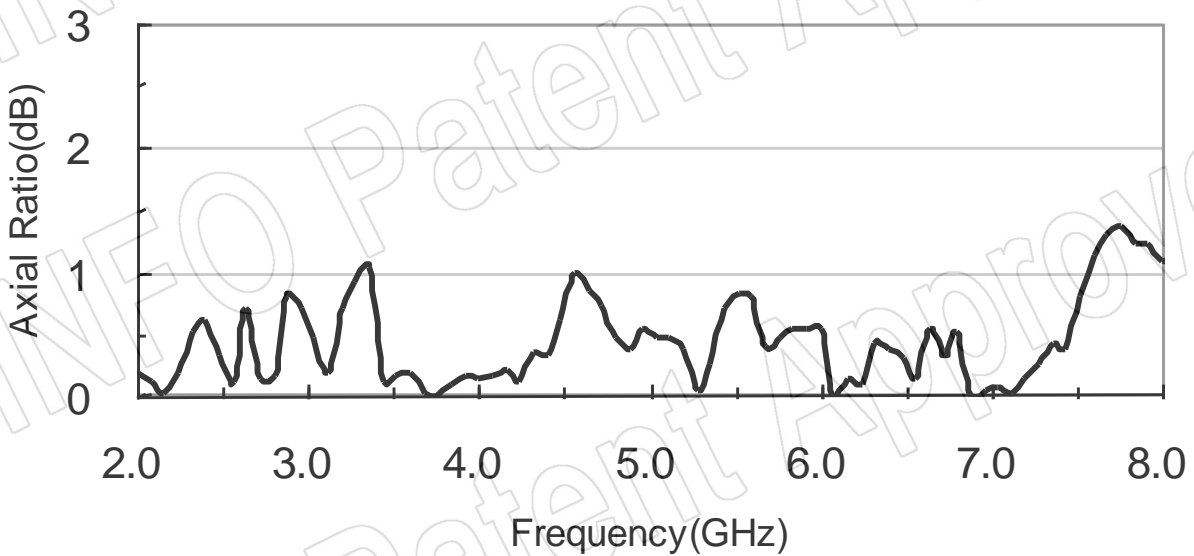


Test Results

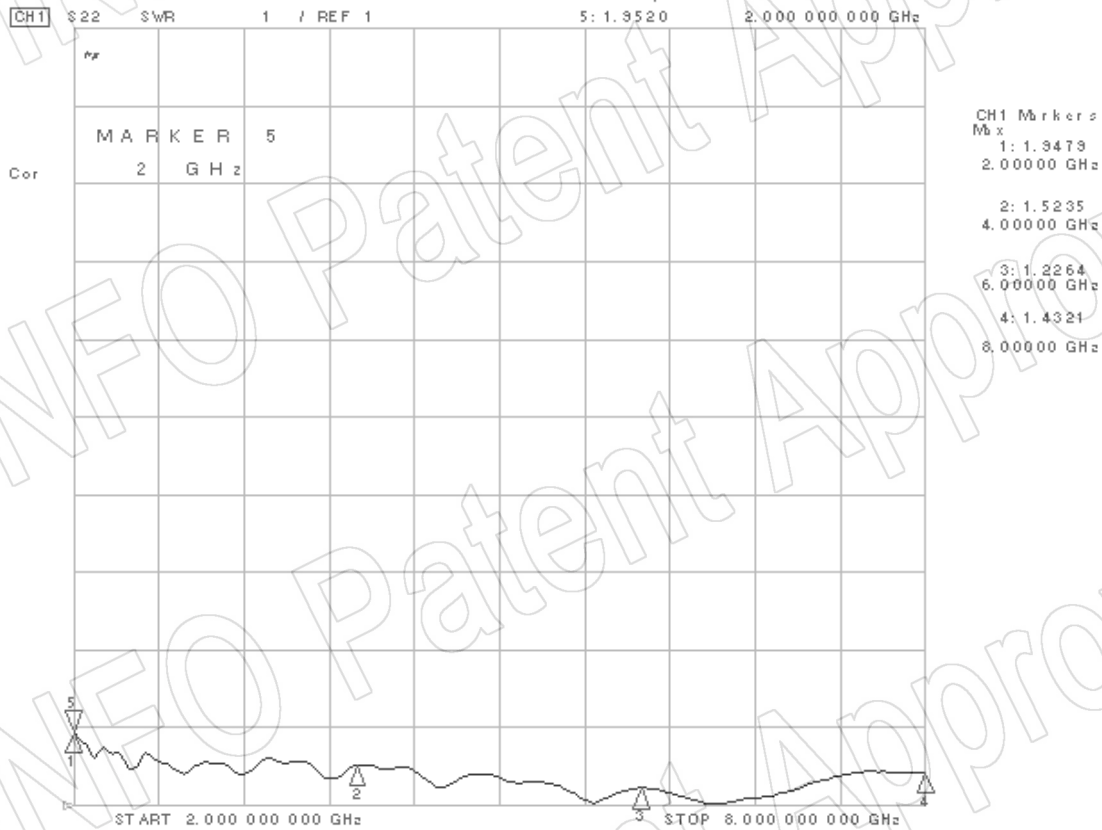
1. Gain



2. Axial Ratio



3. VSWR



4. Pattern

